

Electronic Ballast for MH60 Lamps / Outdoor

Input range 90-230 V AC (M66SBU)

NEW FEATURES

FUNCTIONAL CAPACITY/CAPABILITY

① in the extreme (-20°C~80°C)



② in the severe environment

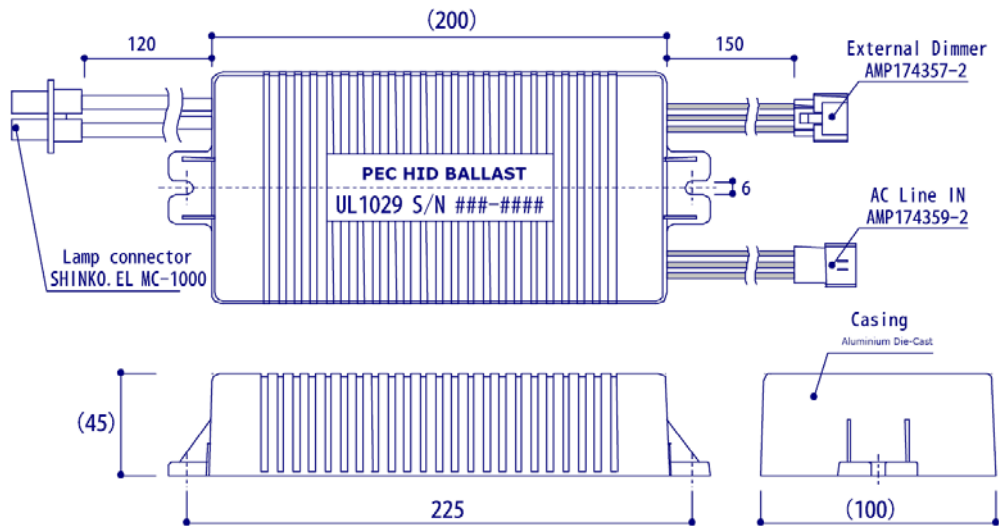


- durable in severe cold weather
- low noise
- low electricity leakage
- quick restrike

- Also available as DC input type (M66SBS)
- Water proof
- Resists extremely high temperatures
- Dust protected
- Dimmable
- No Noise
- Quick start capable
- Environmental friendly
- For use in hazardous environment

General Specifications

Category	Specification		Remarks
Water Proof	Outdoor usage	Aluminium die-cast model & urethane potting	
Temperature	Tested and guaranteed to be used safely at sea and outdoor	-20°C~80°C	
Noiseless/Dustless	No fan required for lamp/ballast	Self Cooling	Lamp is securely protected
Starter	Quick restrike	Lights up in 3 seconds at max. 15Kv	
Dimmer Function	Dimmable	60W~100W Dimmer	Initial 60W fixed
Size	Compact	200mm X 100mm X 45mm	
UL Approval	UL 1029, UL60950, IEC60950	Handled under RoHS and lead free regulation	
Noise Level	Based upon Class B	Class B FCC Part 18	Minimum leakage
Voltage	AC wide input	Operable in AC90V~AC2 64V (Japan, US, Europe, China)	
ON/OFF Method	AC input ON-OFF		



APPLICATION

This specification shall apply to the lamp driver to operate a 60W lamp. Closed / shielded package for outdoor use.

This lamp driver is designed and adjusted for the metal halide lamp.

STANDARD APPLICATION

The lamp driver is designed to meet these standards when mounted on the set.

SAFETY STANDARD

UL60950;IEC60950

EMII

FCC Part18

Advantages:

- Small dimensions
- Wide input range 90-230V AC
- Dimmable Range 40W-80W
- Wide temperature range
- Small output ripple

TechnoLab Systems GmbH
 Am Borsigturm 46
 13507 Berlin
 Tel.: +49 30 4303 3160
 Fax:+49 30 4303 3169
 Germany